

Dream. Create. Inspire.



Product Guide





TABLE OF CONTENTS

- 3 About Palette
- 4 Engage Tables
- 14 Shelving - Envision Series
- 22 Shelving - Inspire Series
- 26 Nook and Hive Units
- 30 Lounge Seating
- 42 Soft Seating Layout Ideas
- 43 Color Options



About Palette

A classic wood media center is always a great option, but sometimes you need a more modern, collaborative space. Russwood has developed the Palette™ line with the same level of quality materials and construction that you have come to expect from our products. You can feel confident in knowing that your learning environment will not only look great, but will also stand the test of time.

The collaborative furniture of the Palette™ line encourages students to work together in a fun and positive way. Tables, shelving, and lounge areas can all be arranged in many different configurations to create the perfect space for school projects and brainstorm sessions.

We provide the palette so that you can be the artist of your learning environment! With the wide range of laminates, edge bands, and fabrics available, the possibilities are endless. Use a spectrum of fun colorful laminates, or make it a refined neutral area with whites, grays, and wood grain laminates.





Specifications

- 1 Table top cores are 1" T particleboard with a .05" thick, horizontal grade high pressure laminate top surface and a balancing backer sheet to finish.
- 2 All edges are 3mm PVC edge band with machine application (Not hand applied). PVC is eased to a 1/8" radius to remove sharp edges.
- 3 Metal legs are 2" in diameter with a durable powder coat finish.
- 4 Leg levelers, adjustable by 1-1/4"
- 5 3" diameter swivel and locking contemporary caster.
- 6 Dry erase marker board laminate tops are an optional add-on for the engage tables.
- 7 All legs are attached to the bottom side of the work surface with bolts that pass through the leg plate and into threaded metal inserts in the work surface core (No screw attachment). This allows for a very strong metal to metal hardware connection.



ENGAGE TABLES

Palette™ tables are designed to allow students and instructors to collaborate in an interactive learning environment. These fun and creative table top shapes can be arranged in a variety of different ways. Whether it's for your classroom, media center, or learning commons area, the Palette™ series tables by Russwood are sure to inspire creativity and student engagement.



COSMO TABLE				
Product #	Description	Height	Width	Depth
PT-COS-290C	Cosmo Table - no casters	29"	55"	55"
PT-COS-292C	Cosmo Table - 2 casters	29"	55"	55"
PT-COS-294C	Cosmo Table - 4 casters	29"	55"	55"
PT-COS-270C	Cosmo Table - no casters	27"	55"	55"
PT-COS-272C	Cosmo Table - 2 casters	27"	55"	55"
PT-COS-274C	Cosmo Table - 4 casters	27"	55"	55"
PT-COS-250C	Cosmo Table - no casters	25"	55"	55"
PT-COS-252C	Cosmo Table - 2 casters	25"	55"	55"
PT-COS-254C	Cosmo Table - 4 casters	25"	55"	55"



SYNC TABLE				
Product #	Description	Height	Width	Depth
PT-SYNC-290C	Sync Table - no casters	29"	48"	36"
PT-SYNC-292C	Sync Table - 2 casters	29"	48"	36"
PT-SYNC-294C	Sync Table - 4 casters	29"	48"	36"
PT-SYNC-270C	Sync Table - no casters	27"	48"	36"
PT-SYNC-272C	Sync Table - 2 casters	27"	48"	36"
PT-SYNC-274C	Sync Table - 4 casters	27"	48"	36"
PT-SYNC-250C	Sync Table - no casters	25"	48"	36"
PT-SYNC-252C	Sync Table - 2 casters	25"	48"	36"
PT-SYNC-254C	Sync Table - 4 casters	25"	48"	36"

ORBIT TABLE				
Product #	Description	Height	Width	Depth
PT-ORB-290C	Orbit Table - no casters	29"	58"	48"
PT-ORB-292C	Orbit Table - 2 casters	29"	58"	48"
PT-ORB-294C	Orbit Table - 4 casters	29"	58"	48"
PT-ORB-270C	Orbit Table - no casters	27"	58"	48"
PT-ORB-272C	Orbit Table - 2 casters	27"	58"	48"
PT-ORB-274C	Orbit Table - 4 casters	27"	58"	48"
PT-ORB-250C	Orbit Table - no casters	25"	58"	48"
PT-ORB-252C	Orbit Table - 2 casters	25"	58"	48"
PT-ORB-254C	Orbit Table - 4 casters	25"	58"	48"



HARMONY TABLE				
Product #	Description	Height	Width	Depth
PT-HAR-290C	Harmony Table - no casters	29"	48"	28"
PT-HAR-292C	Harmony Table - 2 casters	29"	48"	28"
PT-HAR-293C	Harmony Table - 3 casters	29"	48"	28"
PT-HAR-270C	Harmony Table - no casters	27"	48"	28"
PT-HAR-272C	Harmony Table - 2 casters	27"	48"	28"
PT-HAR-273C	Harmony Table - 3 casters	27"	48"	28"
PT-HAR-250C	Harmony Table - no casters	25"	48"	28"
PT-HAR-252C	Harmony Table - 2 casters	25"	48"	28"
PT-HAR-253C	Harmony Table - 3 casters	25"	48"	28"

STELLA TABLE				
Product #	Description	Height	Width	Depth
PT-STEL-290C	Stella Table - no casters	29"	48"	48"
PT-STEL-292C	Stella Table - 2 casters	29"	48"	48"
PT-STEL-293C	Stella Table - 3 casters	29"	48"	48"
PT-STEL-270C	Stella Table - no casters	27"	48"	48"
PT-STEL-272C	Stella Table - 2 casters	27"	48"	48"
PT-STEL-273C	Stella Table - 3 casters	27"	48"	48"
PT-STEL-250C	Stella Table - no casters	25"	48"	48"
PT-STEL-252C	Stella Table - 2 casters	25"	48"	48"
PT-STEL-253C	Stella Table - 3 casters	25"	48"	48"



Combine the Cosmo, Stella, Sync, Orbit, and Harmony tables to create endless arrangements

2 ORBIT / 2 SYNC 2 HARMONY / 2 SYNC 2 HARMONY / 2 STELLA 2 HARMONY / 1 COSMO

3 ORBIT / 1 STELLA 3 HARMONY / 1 STELLA / 3 SYNC 3 HARMONY / 1 STELLA 3 COSMO / 1 STELLA

GEM TABLE				
Product #	Description	Height	Width	Depth
PT-GEM-290C	Gem Table - no casters	29"	58"	26"
PT-GEM-292C	Gem Table - 2 casters	29"	58"	26"
PT-GEM-294C	Gem Table - 4 casters	29"	58"	26"
PT-GEM-270C	Gem Table - no casters	27"	58"	26"
PT-GEM-272C	Gem Table - 2 casters	27"	58"	26"
PT-GEM-274C	Gem Table - 4 casters	27"	58"	26"
PT-GEM-250C	Gem Table - no casters	25"	58"	26"
PT-GEM-252C	Gem Table - 2 casters	25"	58"	26"
PT-GEM-254C	Gem Table - 4 casters	25"	58"	26"



ECLIPSE TABLE				
Product #	Description	Height	Width	Depth
PT-ECL-290C	Eclipse Table - no casters	29"	48"	48"
PT-ECL-292C	Eclipse Table - 2 casters	29"	48"	48"
PT-ECL-294C	Eclipse Table - 4 casters	29"	48"	48"
PT-ECL-270C	Eclipse Table - no casters	27"	48"	48"
PT-ECL-272C	Eclipse Table - 2 casters	27"	48"	48"
PT-ECL-274C	Eclipse Table - 4 casters	27"	48"	48"
PT-ECL-250C	Eclipse Table - no casters	25"	48"	48"
PT-ECL-252C	Eclipse Table - 2 casters	25"	48"	48"
PT-ECL-254C	Eclipse Table - 4 casters	25"	48"	48"

MOON TABLE				
Product #	Description	Height	Width	Depth
PT-MOON-290C	Moon Table -no casters	29"	60"	30"
PT-MOON-292C	Moon Table -2 casters	29"	60"	30"
PT-MOON-294C	Moon Table - 4 casters	29"	60"	30"
PT-MOON-270C	Moon Table - no casters	27"	60"	30"
PT-MOON-272C	Moon Table - 2 casters	27"	60"	30"
PT-MOON-274C	Moon Table - 4 casters	27"	60"	30"
PT-MOON-250C	Moon Table - no casters	25"	60"	30"
PT-MOON-252C	Moon Table - 2 casters	25"	60"	30"
PT-MOON-254C	Moon Table - 4 casters	25"	60"	30"



ARC TABLE				
Product #	Description	Height	Width	Depth
PT-ARC-290C	Arc Table - no casters	29"	39"	26"
PT-ARC-292C	Arc Table - 2 casters	29"	39"	26"
PT-ARC-294C	Arc Table - 4 casters	29"	39"	26"
PT-ARC-270C	Arc Table - no casters	27"	39"	26"
PT-ARC-272C	Arc Table - 2 casters	27"	39"	26"
PT-ARC-274C	Arc Table - 4 casters	27"	39"	26"
PT-ARC-250C	Arc Table - no casters	25"	39"	26"
PT-ARC-252C	Arc Table - 2 casters	25"	39"	26"
PT-ARC-254C	Arc Table - 4 casters	25"	39"	26"

FLORA TABLE				
Product #	Description	Height	Width	Depth
PT-FLO-290C	Flora Table - no casters	29"	59"	35"
PT-FLO-292C	Flora Table - 2 casters	29"	59"	35"
PT-FLO-294C	Flora Table - 4 casters	29"	59"	35"
PT-FLO-270C	Flora Table - no casters	27"	59"	35"
PT-FLO-272C	Flora Table - 2 casters	27"	59"	35"
PT-FLO-274C	Flora Table - 4 casters	27"	59"	35"
PT-FLO-250C	Flora Table - no casters	25"	59"	35"
PT-FLO-252C	Flora Table - 2 casters	25"	59"	35"
PT-FLO-254C	Flora Table - 4 casters	25"	59"	35"



AXIS TABLE				
Product #	Description	Height	Width	Depth
PT-AXIS-290C	Axis Table - no casters	29"	47"	34"
PT-AXIS-292C	Axis Table - 2 casters	29"	47"	34"
PT-AXIS-294C	Axis Table - 4 casters	29"	47"	34"
PT-AXIS-270C	Axis Table - no casters	27"	47"	34"
PT-AXIS-272C	Axis Table - 2 casters	27"	47"	34"
PT-AXIS-274C	Axis Table - 4 casters	27"	47"	34"
PT-AXIS-250C	Axis Table - no casters	25"	47"	34"
PT-AXIS-252C	Axis Table - 2 casters	25"	47"	34"
PT-AXIS-254C	Axis Table - 4 casters	25"	47"	34"

SQUARE TABLE

Product #	Description	Height	Width	Depth
PT-42SQ-290C	Square Table - no casters	29"	42"	42"
PT-42SQ-292C	Square Table - 2 casters	29"	42"	42"
PT-42SQ-294C	Square Table - 4 casters	29"	42"	42"
PT-42SQ-270C	Square Table - no casters	27"	42"	42"
PT-42SQ-272C	Square Table - 2 casters	27"	42"	42"
PT-42SQ-274C	Square Table - 4 casters	27"	42"	42"
PT-42SQ-250C	Square Table - no casters	25"	42"	42"
PT-42SQ-252C	Square Table - 2 casters	25"	42"	42"
PT-42SQ-254C	Square Table - 4 casters	25"	42"	42"

* 36", 42", and 48" square tables are available for this item.



ALPHA TABLE

Product #	Description	Height	Width	Depth
PT-ALP-290C	Alpha Table - no casters	29"	56"	31"
PT-ALP-292C	Alpha Table - 2 casters	29"	56"	31"
PT-ALP-294C	Alpha Table - 4 casters	29"	56"	31"
PT-ALP-270C	Alpha Table - no casters	27"	56"	31"
PT-ALP-272C	Alpha Table - 2 casters	27"	56"	31"
PT-ALP-274C	Alpha Table - 4 casters	27"	56"	31"
PT-ALP-250C	Alpha Table - no casters	25"	56"	31"
PT-ALP-252C	Alpha Table - 2 casters	25"	56"	31"
PT-ALP-254C	Alpha Table - 4 casters	25"	56"	31"

* Alpha Tables can also be combined with beta tables (below) and single sided radius Palette shelving units (pg. 16)

ROUND TABLE

Product #	Description	Height	Width	Depth
PT-42RD-290C	Round Table - no casters	29"	42"	42"
PT-42RD-292C	Round Table - 2 casters	29"	42"	42"
PT-42RD-294C	Round Table - 4 casters	29"	42"	42"
PT-42RD-270C	Round Table - no casters	27"	42"	42"
PT-42RD-272C	Round Table - 2 casters	27"	42"	42"
PT-42RD-274C	Round Table - 4 casters	27"	42"	42"
PT-42RD-250C	Round Table - no casters	25"	42"	42"
PT-42RD-252C	Round Table - 2 casters	25"	42"	42"
PT-42RD-254C	Round Table - 4 casters	25"	42"	42"

* 36", 42", 48", and 60" diameter round tables are available for this item.



BETA TABLE

Product #	Description	Height	Width	Depth
PT-BETA-290C	Beta Table - no casters	29"	31"	26"
PT-BETA-292C	Beta Table - 2 casters	29"	31"	26"
PT-BETA-294C	Beta Table - 4 casters	29"	31"	26"
PT-BETA-270C	Beta Table - no casters	27"	31"	26"
PT-BETA-272C	Beta Table - 2 casters	27"	31"	26"
PT-BETA-274C	Beta Table - 4 casters	27"	31"	26"
PT-BETA-250C	Beta Table - no casters	25"	31"	26"
PT-BETA-252C	Beta Table - 2 casters	25"	31"	26"
PT-BETA-254C	Beta Table - 4 casters	25"	31"	26"

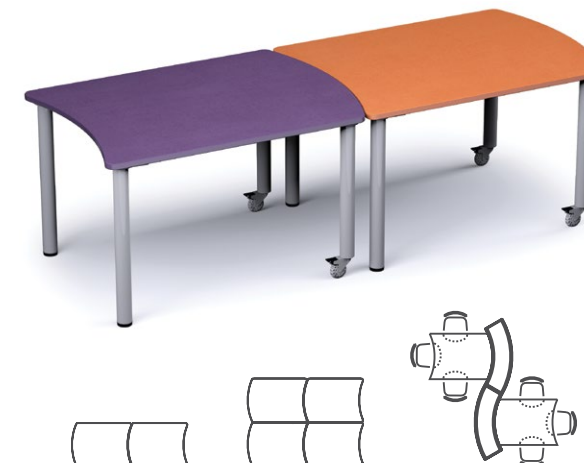
* Beta Tables can also be combined with Alpha tables (above) and single sided radius Palette shelving units (pg. 16)

RECTANGLE TABLE

Product #	Description	Height	Width	Depth
PT-6036-290C	Rect. Table - no casters	29"	60"	36"
PT-6036-292C	Rect. Table - 2 casters	29"	60"	36"
PT-6036-294C	Rect. Table - 4 casters	29"	60"	36"
PT-6036-270C	Rect. Table - no casters	27"	60"	36"
PT-6036-272C	Rect. Table - 2 casters	27"	60"	36"
PT-6036-274C	Rect. Table - 4 casters	27"	60"	36"
PT-6036-250C	Rect. Table - no casters	25"	60"	36"
PT-6036-252C	Rect. Table - 2 casters	25"	60"	36"
PT-6036-254C	Rect. Table - 4 casters	25"	60"	36"

* 24", 30", 36", and 42" depths are available for this item.

* 36", 42", 48", 60", and 72" widths are available for this item.



COMET TABLE

Product #	Description	Height	Width	Depth
PT-COM-290C	Comet Table - no casters	29"	48"	36"
PT-COM-292C	Comet Table - 2 casters	29"	48"	36"
PT-COM-294C	Comet Table - 4 casters	29"	48"	36"
PT-COM-270C	Comet Table - no casters	27"	48"	36"
PT-COM-272C	Comet Table - 2 casters	27"	48"	36"
PT-COM-274C	Comet Table - 4 casters	27"	48"	36"
PT-COM-250C	Comet Table - no casters	25"	48"	36"
PT-COM-252C	Comet Table - 2 casters	25"	48"	36"
PT-COM-254C	Comet Table - 4 casters	25"	48"	36"

* Comet Tables can also be combined with single sided radius Palette shelving units (pg. 16)

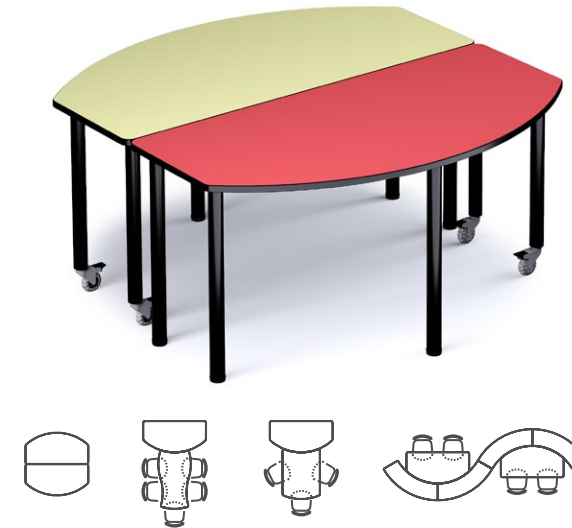
CLOUD TABLE

Product #	Description	Height	Width	Depth
PT-CLD-290C	Cloud Table - no casters	29"	65"	45"
PT-CLD-292C	Cloud Table - 2 casters	29"	65"	45"
PT-CLD-294C	Cloud Table - 4 casters	29"	65"	45"
PT-CLD-270C	Cloud Table - no casters	27"	65"	45"
PT-CLD-272C	Cloud Table - 2 casters	27"	65"	45"
PT-CLD-274C	Cloud Table - 4 casters	27"	65"	45"
PT-CLD-250C	Cloud Table - no casters	25"	65"	45"
PT-CLD-252C	Cloud Table - 2 casters	25"	65"	45"
PT-CLD-254C	Cloud Table - 4 casters	25"	65"	45"



FOCUS TABLE

Product #	Description	Height	Width	Depth
PT-FOC-290C	Focus Table - no casters	29"	60"	30"
PT-FOC-292C	Focus Table - 2 casters	29"	60"	30"
PT-FOC-295C	Focus Table - 5 casters	29"	60"	30"
PT-FOC-270C	Focus Table - no casters	27"	60"	30"
PT-FOC-272C	Focus Table - 2 casters	27"	60"	30"
PT-FOC-275C	Focus Table - 5 casters	27"	60"	30"
PT-FOC-250C	Focus Table - no casters	25"	60"	30"
PT-FOC-252C	Focus Table - 2 casters	25"	60"	30"
PT-FOC-255C	Focus Table - 5 casters	25"	60"	30"



* Focus Tables can be combined with single sided radius Palette shelving units (pg. 16) , Alpha Tables (pg.11) and Comet Tables (pg.11)

FLARE TABLE

Product #	Description	Height	Width	Depth
PT-FLR-290C	Flare Table - no casters	29"	60"	31"
PT-FLR-292C	Flare Table - 2 casters	29"	60"	31"
PT-FLR-294C	Flare Table - 4 casters	29"	60"	31"
PT-FLR-270C	Flare Table - no casters	27"	60"	31"
PT-FLR-272C	Flare Table - 2 casters	27"	60"	31"
PT-FLR-274C	Flare Table - 4 casters	27"	60"	31"
PT-FLR-250C	Flare Table - no casters	25"	60"	31"
PT-FLR-252C	Flare Table - 2 casters	25"	60"	31"
PT-FLR-254C	Flare Table - 4 casters	25"	60"	31"



ELEMENT TABLE

Product #	Description	Height	Width	Depth
PT-ELE-290C	Element Table - no casters	29"	48"	30"
PT-ELE-292C	Element Table - 2 casters	29"	48"	30"
PT-ELE-293C	Element Table - 3 casters	29"	48"	30"
PT-ELE-270C	Element Table - no casters	27"	48"	30"
PT-ELE-272C	Element Table - 2 casters	27"	48"	30"
PT-ELE-273C	Element Table - 3 casters	27"	48"	30"
PT-ELE-250C	Element Table - no casters	25"	48"	30"
PT-ELE-252C	Element Table - 2 casters	25"	48"	30"
PT-ELE-253C	Element Table - 3 casters	25"	48"	30"



* Element Tables can be used as end caps with certain wave table configurations (shown below)

CORE TABLE

Product #	Description	Height	Width	Depth
PT-COR-290C	Core Table - no casters	29"	53"	48"
PT-COR-292C	Core Table - 2 casters	29"	53"	48"
PT-COR-294C	Core Table - 4 casters	29"	53"	48"
PT-COR-270C	Core Table - no casters	27"	53"	48"
PT-COR-272C	Core Table - 2 casters	27"	53"	48"
PT-COR-274C	Core Table - 4 casters	27"	53"	48"
PT-COR-250C	Core Table - no casters	25"	53"	48"
PT-COR-252C	Core Table - 2 casters	25"	53"	48"
PT-COR-254C	Core Table - 4 casters	25"	53"	48"



* Core Tables can also be combined with Alpha tables and Beta Tables. (pg. 11)

WAVE TABLE

Product #	Description	Height	Width	Depth
PT-WAV-290C	Wave Table - no casters	29"	72"	28"
PT-WAV-292C	Wave Table - 2 casters	29"	72"	28"
PT-WAV-295C	Wave Table - 5 casters	29"	72"	28"
PT-WAV-270C	Wave Table - no casters	27"	72"	28"
PT-WAV-272C	Wave Table - 2 casters	27"	72"	28"
PT-WAV-275C	Wave Table - 5 casters	27"	72"	28"
PT-WAV-250C	Wave Table - no casters	25"	72"	28"
PT-WAV-252C	Wave Table - 2 casters	25"	72"	28"
PT-WAV-255C	Wave Table - 5 casters	25"	72"	28"



* Wave Tables can be combined with Element Tables (shown above)

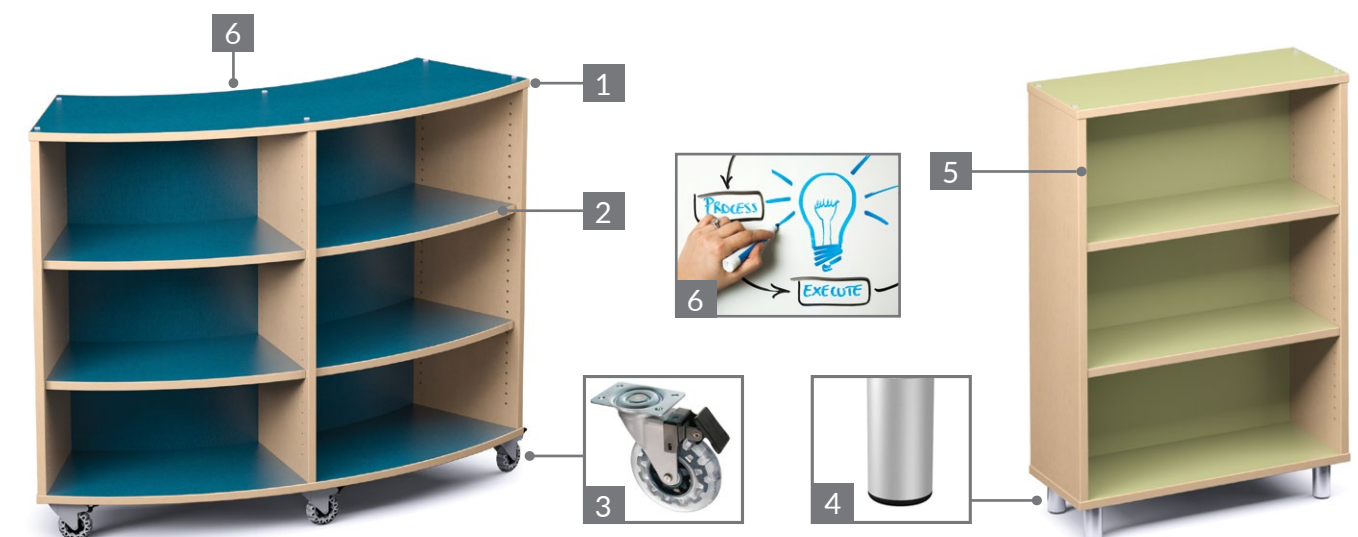


Specifications

- 1 Top panels are external (not captured by upright panels) and are constructed of 1" thick veneer core plywood with .05" thick, horizontal grade, High Pressure Laminates. Through bolts will pass through machined holes in the tops and bottoms and into threaded inserts in the upright panels, for a metal to metal hardware connection.
- 2 Shelves and upright panels are constructed of 1" thick veneer cores with .05" thick, horizontal grade, high pressure laminates.
- 3 Mobile shelving includes 5" overall height, swivel and locking casters that are mounted to the bottom panel with through bolts that pass through the caster plate and into threaded T-nuts. This allows for a very strong metal to metal hardware connection.
- 4 Non-mobile shelving includes 4" aluminum post legs that are mounted to the bottom panel with through bolts that bolt into threaded T-nuts in the bottom panel.
- 5 Exposed edges are banded using 3 mm PVC edging. PVC edges are eased to a 1/8" radius to remove sharp edges.
- 6 Optional dry erase marker board add-on. This option is only available for single sided units that are not wall shelving.

Envision Series Shelving

The Envision Series offers a more modern approach to your shelving needs with sleek aluminum legs and contemporary casters. Single sided radius units can be combined with tables and lounge seating to create multipurpose collaborative areas. Dry Erase marker boards can also be added to single sided floor shelving, perfect for study groups and school project areas.

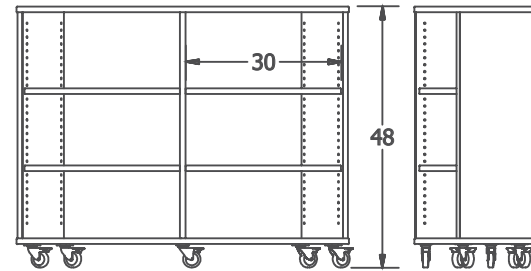
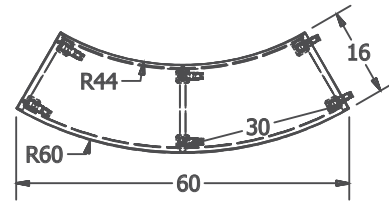




* Dry erase marker board back option is available with this unit



* Leg option is available with this unit.

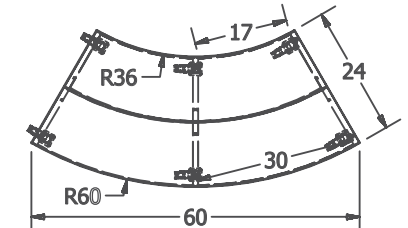


* PT-RS-48 unit shown

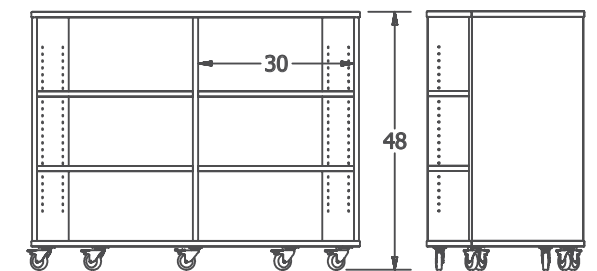
*Compatible with PT-LNG-16 benches (p. 40) , Alpha, Beta, and Comet tables (p. 11)

Radius Shelving - Single Sided

Product #	Description	Base Shelf #	Adj. Shelf #	Height	Width	Depth
PT-RS-36	36"H Single Face Radius Shelving	2	2	36"	60"	16"
PT-RS-42	42"H Single Face Radius Shelving	2	4	42"	60"	16"
PT-RS-48	48"H Single Face Radius shelving	2	4	48"	60"	16"



* Leg option is available with this unit.



* PT-DF-RS-48 unit shown

Radius Shelving - Double Sided

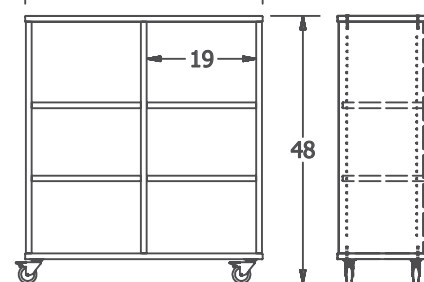
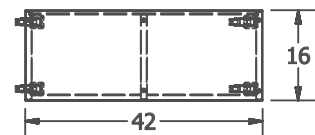
Product #	Description	Base Shelf #	Adj. Shelf #	Height	Width	Depth
PT-DF-RS-36	36"H Double Face Radius Shelving	4	4	36"	60"	24"
PT-DF-RS-42	42"H Double Face Radius Shelving	4	8	42"	60"	24"
PT-DF-RS-48	48"H Double Face Radius shelving	4	8	48"	60"	24"



* Dry erase marker board back option is available with this unit



* Leg option is available with this unit.



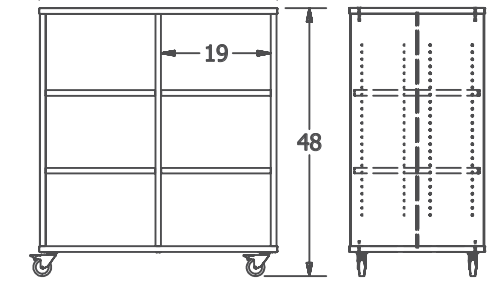
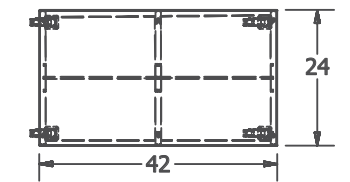
* PT-CS-4842 unit shown

Cubby Shelving - Single Sided

Product #	Description	Base Shelf #	Adj. Shelf #	Height	Width	Depth
PT-CS-3642	36"H Single Face Straight Cubby Shelving	2	2	36"	42"	16"
PT-CS-4242	42"H Single Face Straight Cubby Shelving	2	4	42"	42"	16"
PT-CS-4842	48"H Single Face Straight Cubby Shelving	2	4	48"	42"	16"



* Leg option is available with this unit.



* PT-DF-CS-4842 unit shown

Cubby Shelving - Double Sided

Product #	Description	Base Shelf #	Adj. Shelf #	Height	Width	Depth
PT-DF-CS-3642	36"H Double Face Straight Cubby Shelving	4	4	36"	42"	24"
PT-DF-CS-4242	42"H Double Face Straight Cubby Shelving	4	8	42"	42"	24"
PT-DF-CS-4842	48"H Double Face Straight Cubby Shelving	4	8	48"	42"	24"



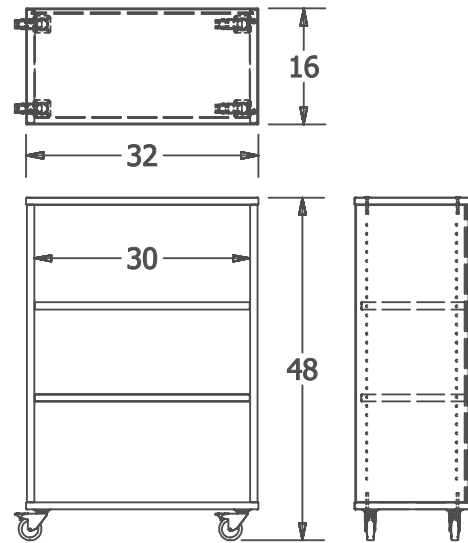
* PT-CS-4832 unit shown



* Dry erase marker board back option is available with this unit



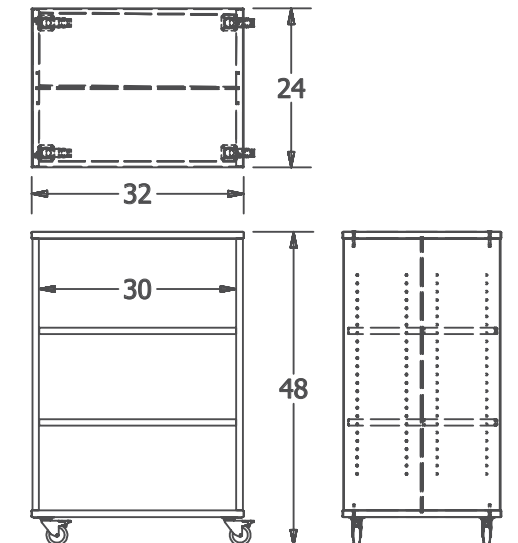
* Leg option is available with this unit.



* PT-DF-CS-4832 unit shown



* Leg option is available with this unit.



Cubby Shelving - Single Sided

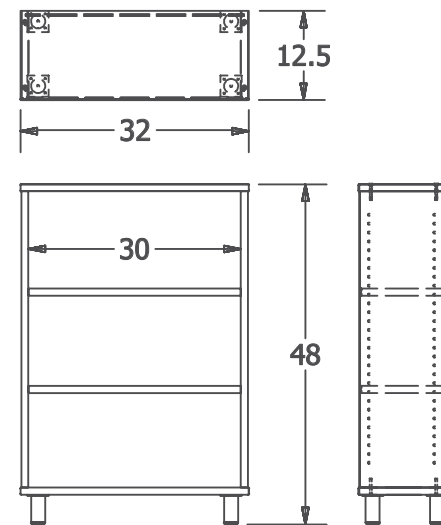
Product #	Description	Base Shelf #	Adj. Shelf #	Height	Width	Depth
PT-CS-3632	36"H Single Face Straight Cubby Shelving	1	1	36"	32"	16"
PT-CS-4232	42"H Single Face Straight Cubby Shelving	1	2	42"	32"	16"
PT-CS-4832	48"H Single Face Straight Cubby Shelving	1	2	48"	32"	16"

Cubby Shelving - Double Sided

Product #	Description	Base Shelf #	Adj. Shelf #	Height	Width	Depth
PT-DF-CS-3632	36"H Double Face Straight Cubby Shelving	2	2	36"	32"	24"
PT-DF-CS-4232	42"H Double Face Straight Cubby Shelving	2	4	42"	32"	24"
PT-DF-CS-4832	48"H Double Face Straight Cubby Shelving	2	4	48"	32"	24"



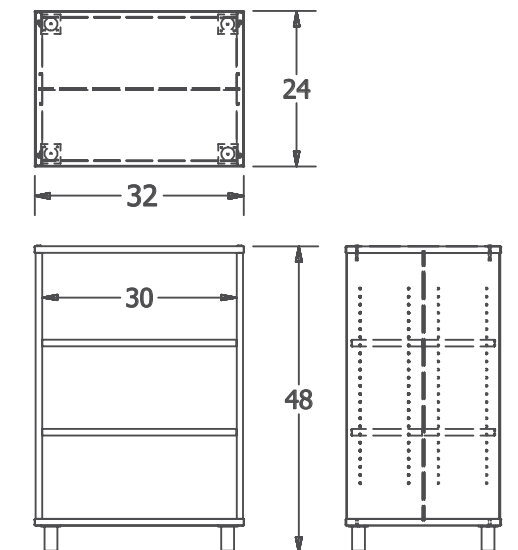
* PT-1S-48-1B unit shown



* PT-2S-48-1B unit shown



* Caster option is available with 36", 42", and 48" units.

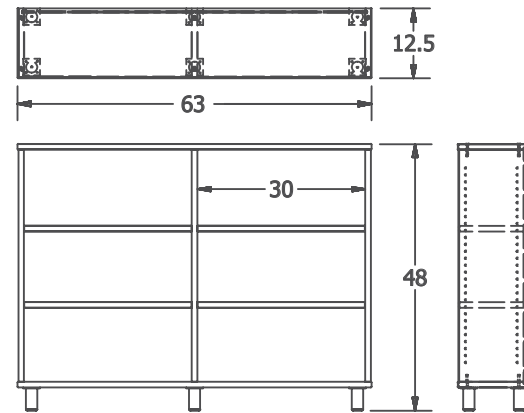


Bay Shelving - Single Sided - 1 Bay

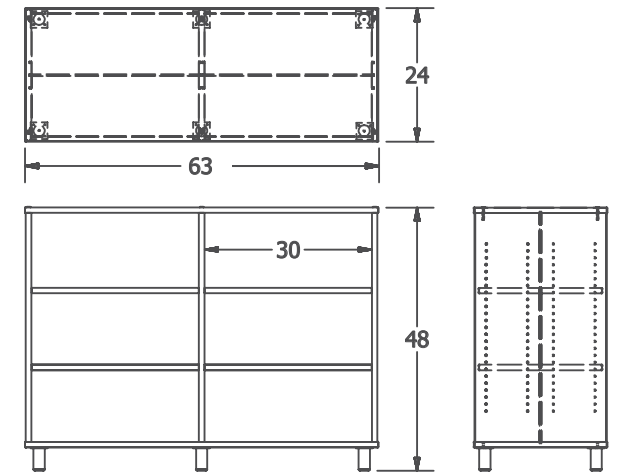
Product #	Description	Base Shelf #	Adj. Shelf #	Height	Width	Depth
PT-1S-36-1B	36"H Single Sided Shelving - 1 Bay	1	1	36"	32"	12"
PT-1S-42-1B	42"H Single Sided Shelving - 1 Bay	1	2	42"	32"	12"
PT-1S-48-1B	48"H Single Sided Shelving - 1 Bay	1	2	48"	32"	12"
PT-1S-60-1B	60"H Single Sided Shelving - 1 Bay	1	3	60"	32"	12"
PT-1S-72-1B	72"H Single Sided Shelving - 1 Bay	1	4	72"	32"	12"
PT-1S-82-1B	82"H Single Sided Shelving - 1 Bay	1	5	82"	32"	12"

Bay Shelving - Double Sided - 1 Bay

Product #	Description	Base Shelf #	Adj. Shelf #	Height	Width	Depth
PT-2S-36-1B	36"H Double Sided Shelving - 1 Bay	2	2	36"	32"	24"
PT-2S-42-1B	42"H Double Sided Shelving - 1 Bay	2	4	42"	32"	24"
PT-2S-48-1B	48"H Double Sided Shelving - 1 Bay	2	4	48"	32"	24"
PT-2S-60-1B	60"H Double Sided Shelving - 1 Bay	2	6	60"	32"	24"



* PT-1S-48-2B unit shown



* PT-2S-48-2B unit shown

* Caster option is available with 36", 42", and 48" units.

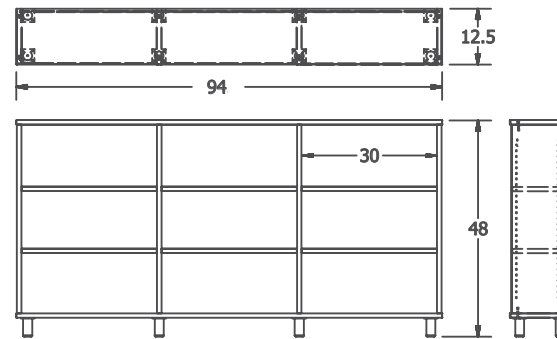


Bay Shelving - Single Sided - 2 Bay

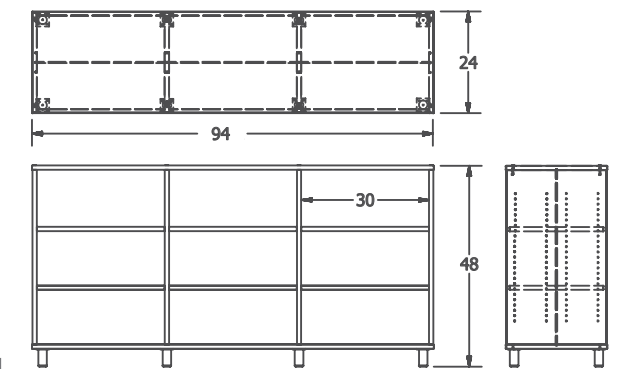
Product #	Description	Base Shelf #	Adj. Shelf #	Height	Width	Depth
PT-1S-36-2B	36"H Single Sided Shelving - 2 Bay	2	2	36"	63"	12"
PT-1S-42-2B	42"H Single Sided Shelving - 2 Bay	2	4	42"	63"	12"
PT-1S-48-2B	48"H Single Sided Shelving - 2 Bay	2	4	48"	63"	12"
PT-1S-60-2B	60"H Single Sided Shelving - 2 Bay	2	6	60"	63"	12"
PT-1S-72-2B	72"H Single Sided Shelving - 2 Bay	2	8	72"	63"	12"
PT-1S-82-2B	82"H Single Sided Shelving - 2 Bay	2	10	82"	63"	12"

Bay Shelving - Double Sided - 2 Bay

Product #	Description	Base Shelf #	Adj. Shelf #	Height	Width	Depth
PT-2S-36-2B	36"H Double Sided Shelving - 2 Bay	4	4	36"	63"	24"
PT-2S-42-2B	42"H Double Sided Shelving - 2 Bay	4	8	42"	63"	24"
PT-2S-48-2B	48"H Double Sided Shelving - 2 Bay	4	8	48"	63"	24"
PT-2S-60-2B	60"H Double Sided Shelving - 2 Bay	4	12	60"	63"	24"



* PT-1S-48-3B unit shown



* PT-2S-48-3B unit shown

* Caster option is available with 36", 42", and 48" units.



Bay Shelving - Single Sided - 3 Bay

Product #	Description	Base Shelf #	Adj. Shelf #	Height	Width	Depth
PT-1S-36-3B	36"H Single Sided Shelving - 3 Bay	3	3	36"	94"	12"
PT-1S-42-3B	42"H Single Sided Shelving - 3 Bay	3	6	42"	94"	12"
PT-1S-48-3B	48"H Single Sided Shelving - 3 Bay	3	6	48"	94"	12"
PT-1S-60-3B	60"H Single Sided Shelving - 3 Bay	3	9	60"	94"	12"
PT-1S-72-3B	72"H Single Sided Shelving - 3 Bay	3	12	72"	94"	12"
PT-1S-82-3B	82"H Single Sided Shelving - 3 Bay	3	15	82"	94"	12"

Bay Shelving - Double Sided - 3 Bay

Product #	Description	Base Shelf #	Adj. Shelf #	Height	Width	Depth
PT-2S-36-3B	36"H Double Sided Shelving - 3 Bay	6	6	36"	94"	24"
PT-2S-42-3B	42"H Double Sided Shelving - 3 Bay	6	12	42"	94"	24"
PT-2S-48-3B	48"H Double Sided Shelving - 3 Bay	6	12	48"	94"	24"
PT-2S-60-3B	60"H Double Sided Shelving - 3 Bay	6	18	60"	94"	24"



Specifications

- 1 Top panels are internal (captured by upright panels). These panels are constructed of 1" thick veneer cores with .05" thick, horizontal grade, high pressure laminates.
- 2 Shelves and upright panels are constructed of 1" thick veneer cores with .05" thick, horizontal grade, high pressure laminates.
- 3 Mobile shelving uses the Titan Mobile Cart. The Titan Mobile Cart is made from 1/8" welded steel on four (4), 3" heavy duty ball bearing stem casters which are designed to bear the entire load of the shelving unit. All casters and metal parts are hidden by a veneer core laminated toe board.
- 4 Non mobile shelving has a bottom frame constructed of 3/4" thick veneer core panels, with a laminated 4"H toe kick face. Hex head bolts pass through holes in the bottom frame and into threaded inserts in the upright panels, for a metal to metal hardware connection.
- 5 Exposed edges are banded using 3 mm PVC edging. PVC edges are eased to a 1/8" radius to remove sharp edges.
- 6 Top frames are connected to the shelving uprights with metal cleats. Connector bolts pass through holes in the metal cleats and into threaded inserts in the uprights and top panels, for a metal to metal hardware connection.

Inspire Series Shelving

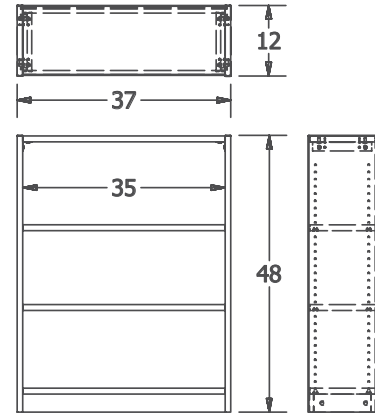
The Inspire Series shelving also offers all of the colorful options, while keeping in line with the standard shelving sizes and starter / adder arrangements that are typical in most media centers. This shelving also features a more concealed mobile option with the Titan Mobile Cart. The precision welded steel of the Titan Cart makes this mobile shelving the strongest in the Industry.





* PT-1SS-4812 unit shown

* 36" H units are available upon request

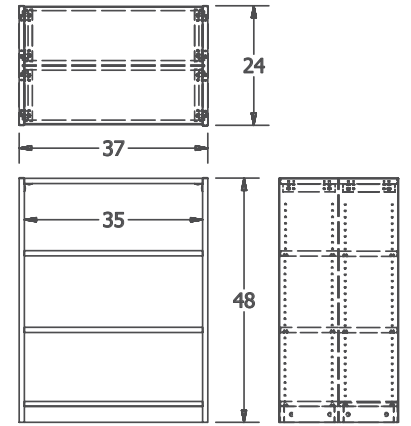


* PT-2SS-4824 unit shown



* The Titan Mobile Cart is compatible with this unit
Product# A-TC

* 36" H units are available upon request



Single Face Shelving

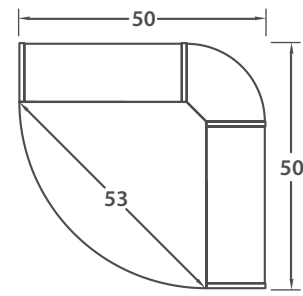
Product #	Description	Base Shelf #	Adj. Shelf #	Height	Width	Depth
PT-1SS-4212	42" H Single Face Shelving - Starter	1	2	42"	37"	12"
PT-1SA-4212	42" H Single Face Shelving - Adder	1	2	42"	36"	12"
PT-1SS-4812	48" H Single Face Shelving - Starter	1	2	48"	37"	12"
PT-1SA-4812	48" H Single Face Shelving - Adder	1	2	48"	36"	12"
PT-1SS-6012	60" H Single Face Shelving - Starter	1	3	60"	37"	12"
PT-1SA-6012	60" H Single Face Shelving - Adder	1	3	60"	36"	12"
PT-1SS-7212	72" H Single Face Shelving - Starter	1	4	72"	37"	12"
PT-1SA-7212	72" H Single Face Shelving - Adder	1	4	72"	36"	12"
PT-1SS-8212	82" H Single Face Shelving - Starter	1	5	82"	37"	12"
PT-1SA-8212	82" H Single Face Shelving - Adder	1	5	82"	36"	12"

Double Face Shelving

Product #	Description	Base Shelf #	Adj. Shelf #	Height	Width	Depth
PT-2SS-4224	42" H Double Face Shelving - Starter	2	4	42"	37"	24"
PT-2SA-4224	42" H Double Face Shelving - Adder	2	4	42"	36"	24"
PT-2SS-4824	48" H Double Face Shelving - Starter	2	4	48"	37"	24"
PT-2SA-4824	48" H Double Face Shelving - Adder	2	4	48"	36"	24"
PT-2SS-6024	60" H Double Face Shelving - Starter	2	6	60"	37"	24"
PT-2SA-6024	60" H Double Face Shelving - Adder	2	6	60"	36"	24"
PT-2SS-7224	72" H Double Face Shelving - Starter	2	8	72"	37"	24"
PT-2SA-7224	72" H Double Face Shelving - Adder	2	8	72"	36"	24"
PT-2SS-8224	82" H Double Face Shelving - Starter	2	10	82"	37"	24"
PT-2SA-8224	82" H Double Face Shelving - Adder	2	10	82"	36"	24"



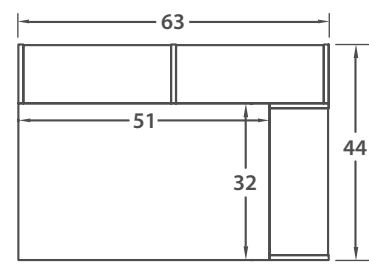
* CV-C505042



TOP VIEW



* CV-S634442



TOP VIEW

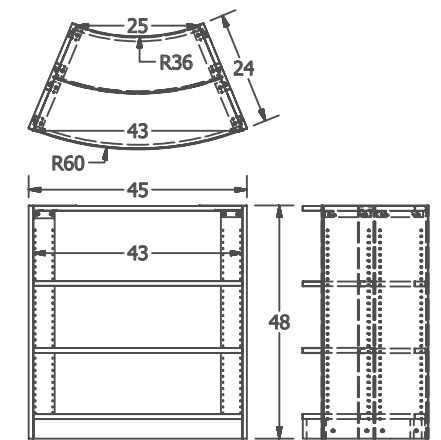


* PT-2RS-4824 unit shown



* The Titan Mobile Cart is compatible with this unit
Product# 2RS-ATC

* 36" H units are available upon request



Double Face Radius Shelving

Product #	Description	Base Shelf #	Adj. Shelf #	Height	Width	Depth
PT-2RS-4224	42" H Double Face Radius Shelving - Starter	2	4	42"	45"	24"
PT-2RA-4224	42" H Double Face Radius Shelving - Adder	2	4	42"	44"	24"
PT-2RS-4824	48" H Double Face Radius Shelving - Starter	2	4	48"	45"	24"
PT-2RA-4824	48" H Double Face Radius Shelving - Adder	2	4	48"	44"	24"
PT-2RS-6024	60" H Double Face Radius Shelving - Starter	2	6	60"	45"	24"
PT-2RA-6024	60" H Double Face Radius Shelving - Adder	2	6	60"	44"	24"

Reading Cove

Product #	Description	Base Shelf #	Adj. Shelf #	Height	Width	Depth
CV-C505042	Curved Reading Cove	5	6	42"	50"	50"
CV-S634442	Straight Reading Cove	6	6	42"	63"	44"

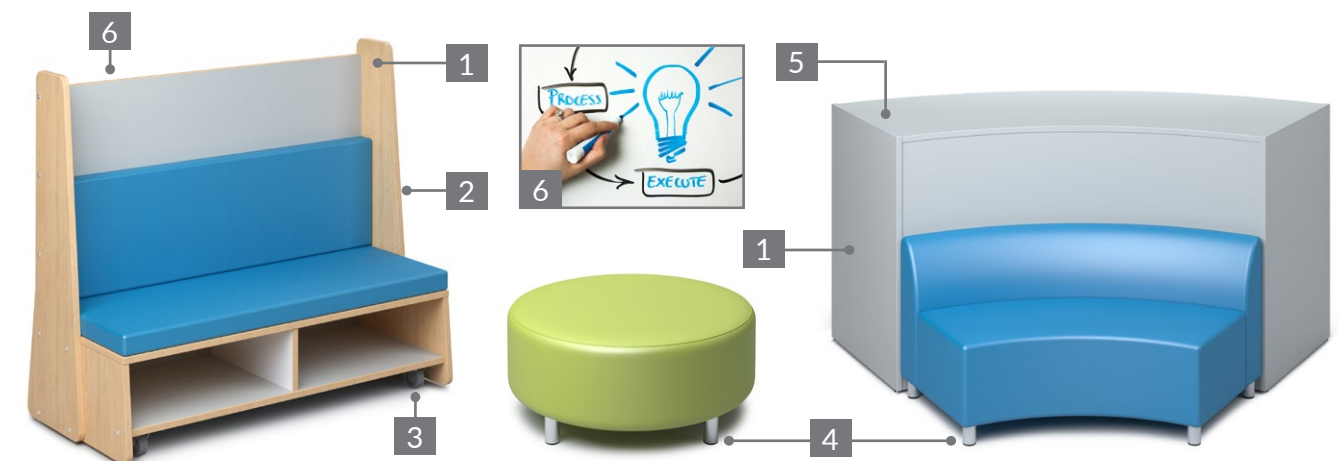


Specifications

- 1 Panels are constructed of 1" thick veneer cores with .05" thick, horizontal grade, High Pressure Laminates.
- 2 Exposed edges will be banded using 3 mm PVC edging. PVC edges are eased to a 1/8" radius to remove sharp edges.
- 3 3" Diameter swivel casters are mounted to the bottom panel with through bolts that pass through the caster plate and into threaded T-nuts. This allows for a very strong metal to metal hardware connection.
- 4 2" diameter aluminum post legs are used and range in height from 3" to 4" depending on product.
- 5 Work surface is constructed of 1" thick particle board with .05" thick, horizontal grade, High Pressure Laminate.
- 6 Dry erase marker board laminate is an optional add-on for the back side of the Hive bench.

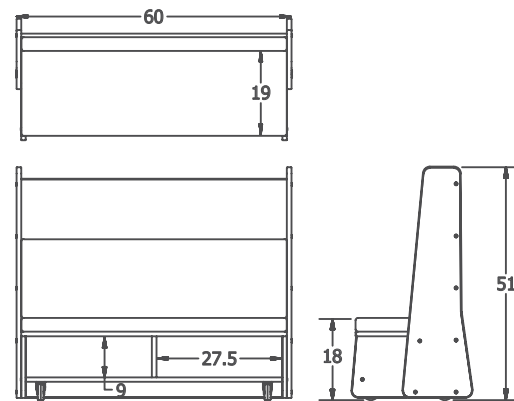
Nook and Hive

Perfect for meetings, brainstorm sessions, class projects, or just relaxing with a book! Hive benches feature soft seating, semi concealed casters, cubby sections for storage and the option for a dry erase marker board back. Nook Units feature different height work surface options and soft seating that matches the inside curve of the desk.





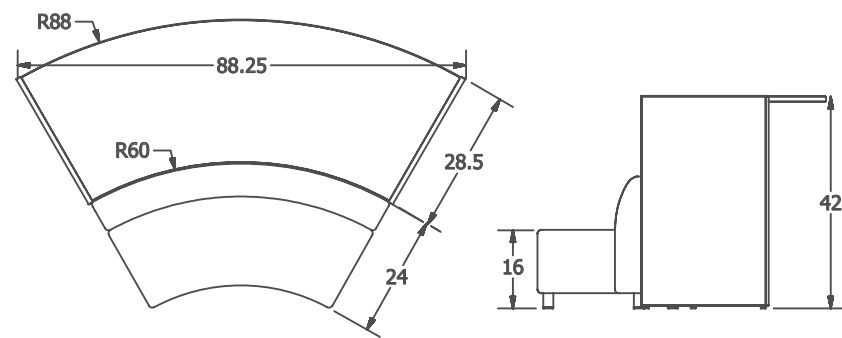
* Dry erase marker board back option is available with this unit



* HI-516026 unit shown

Hive Bench

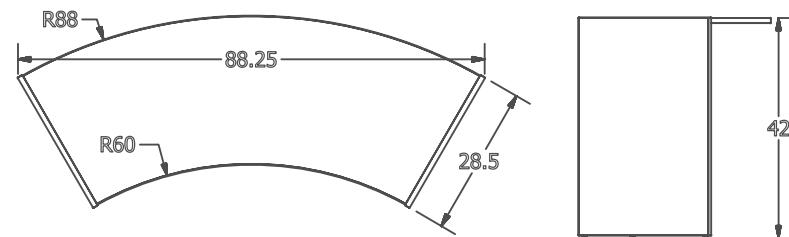
Product #	Description	Height	Width	Depth
HI-386026	38"H Hive Bench (optional marker board back)	38"	60"	27"
HI-516026	51"H Hive Bench (optional marker board back)	51"	60"	27"



* NK-42BR unit shown

Nook Desk with Backrest Bench

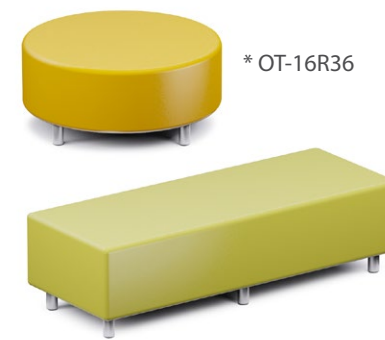
Product #	Description	Height	Width	Depth
NK-27BR	27"H Nook Unit with Backrest Bench - 60 degree wedge	27"	88"	52"
NK-29BR	29"H Nook Unit with Backrest Bench - 60 degree wedge	29"	88"	52"
NK-42BR	42"H Nook Unit with Backrest Bench - 60 degree wedge	42"	88"	52"



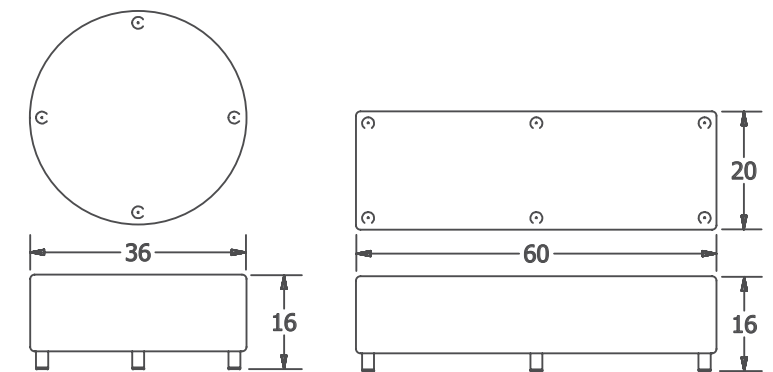
* NK-DESK-42 unit shown

Nook - Desk Only

Product #	Description	Height	Width	Depth
NK-DESK-27	27"H Nook Desk - 60 degree wedge	27"	88"	28"
NK-DESK-29	29"H Nook Desk - 60 degree wedge	29"	88"	28"
NK-DESK-42	42"H Nook Desk - 60 degree wedge	42"	88"	28"



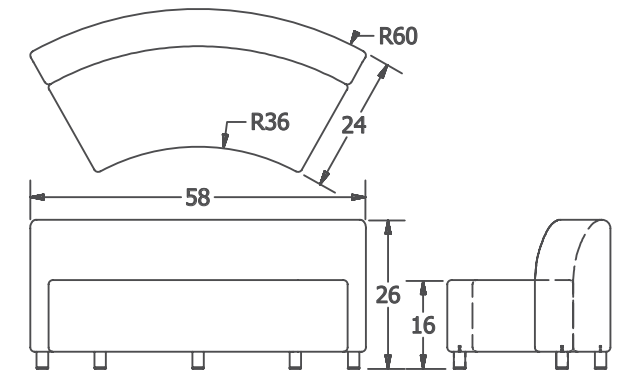
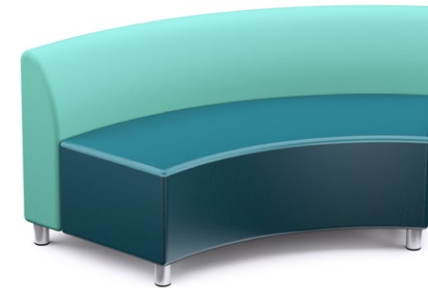
* OT-16R36



* OT-166020 unit shown

Ottomans

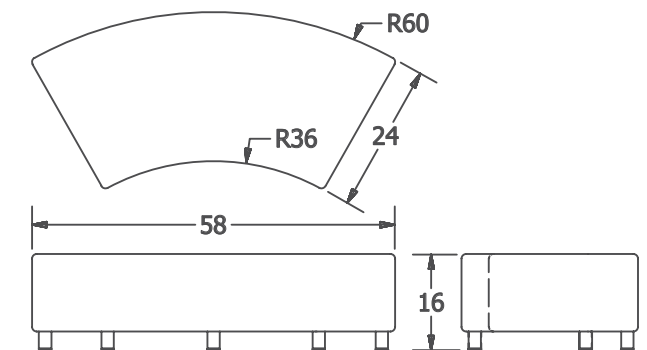
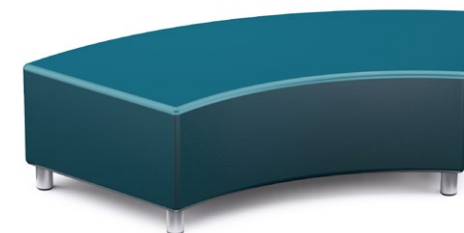
Product #	Description	Height	Width	Depth
OT-16R36	16H x 36 Diameter Ottoman - w/ 4 aluminum Legs	16"	36"	36"
OT-166020	16H x 60W x 20D Ottoman - w/ 6 aluminum Legs	16"	60"	20"



* NK-BENCH-BR unit shown

Nook Bench - with backrest

Product #	Description	Height	Width	Depth
NK-BENCH-BR	Curved Bench with Backrest - 60 degree wedge	26"	58"	24"



* NK-BENCH-NB unit shown

Nook Bench - No backrest

Product #	Description	Height	Width	Depth
NK-BENCH-NB	Curved Bench without Backrest - 60 degree wedge	16"	58"	24"



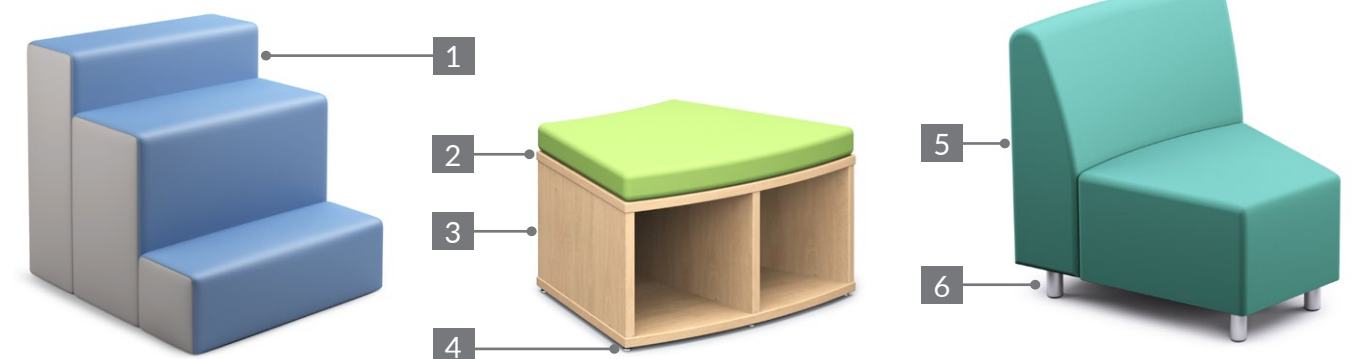
Visit ruswood.com for Zipit & Rollit products

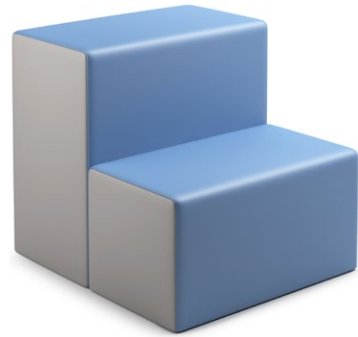
Specifications

- 1 Frame construction is of 18 mm Brazilian hardwood plywood.
- 2 Exposed edges will be banded using 3 mm PVC edging. PVC edges are eased to a 1/8" radius to remove sharp edges.
- 3 Panels are constructed of 1" thick veneer cores with .05" thick, horizontal grade, High Pressure Laminates.
- 4 7/8" diameter threaded floor levelers.
- 5 Glue and staples, corner blocks, and solid poplar rails are used when needed for strength and durability. Backs have Elsabelt webbing for suspension. Fabrics and materials meet the requirements of California Technical Bulletin (CAL TB 117).
- 6 2" diameter aluminum post legs are used and range in height from 3" to 4" depending on product.

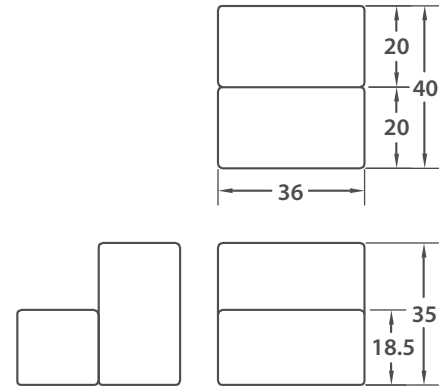
Lounge Seating

The Palette lounge line offers the flexibility to create seating arrangements for a variety of learning environments. Multi-level tiered seating is great for casual gatherings, or group meetings for projects. Modular lounge pieces offer comfortable seating in endless configurations. Connector benches are great for combining with Palette Shelving units, to create areas that have books and a place to read them. So grab a book, take a seat, and enjoy!



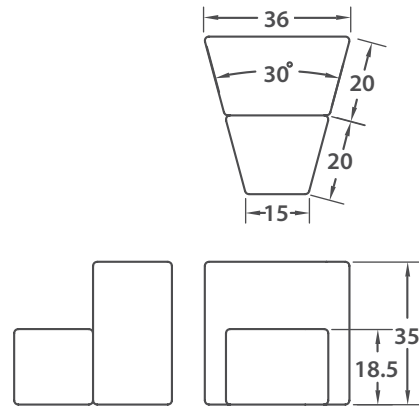


* VI-2T36



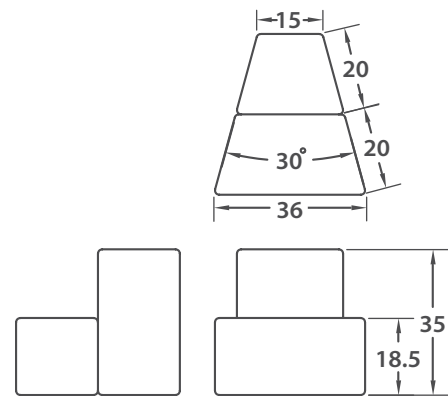
2-Tier Straight Seating

Product #	Description	Height	Width	Depth
VI-2T36	VISIT 2-Tier Straight Seating - 36" Wide	35"	36"	40"
VI-2T30	VISIT 2-Tier Straight Seating - 30" Wide	35"	30"	40"



2-Tier Inside Wedge Seating

Product #	Description	Height	Width	Depth
VI-2T30IW	VISIT 2-Tier 30 Degree Inside Wedge	35"	36"	40"

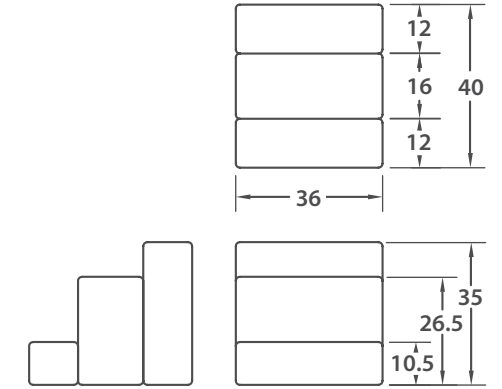


2-Tier Outside Wedge Seating

Product #	Description	Height	Width	Depth
VI-2T30OW	VISIT 2-Tier 30 Degree Outside Wedge	35"	36"	40"

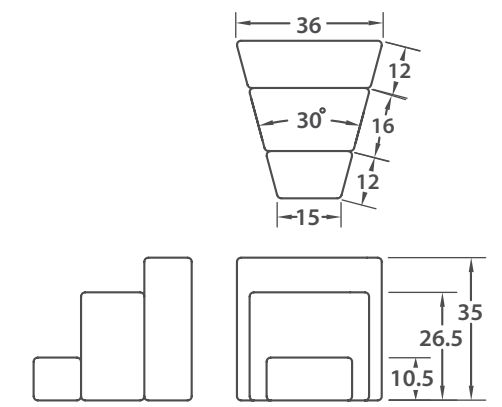
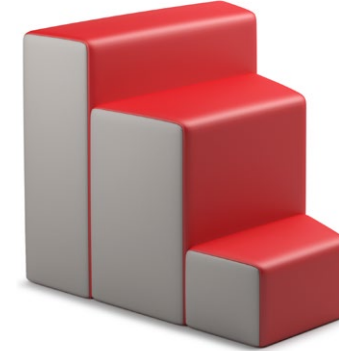


* VI-3T36



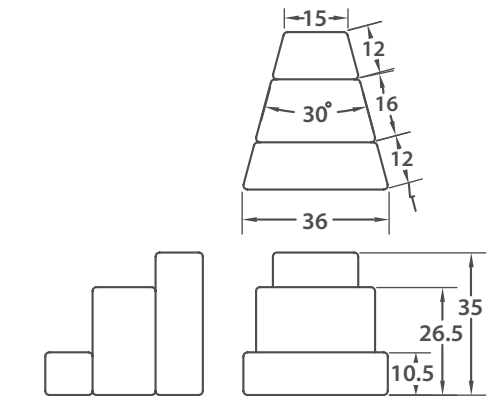
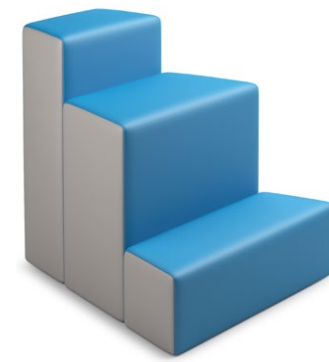
3-Tier Straight Seating

Product #	Description	Height	Width	Depth
VI-3T36	VISIT 3-Tier Straight Seating - 36" Wide	35"	36"	40"
VI-3T30	VISIT 3-Tier Straight Seating - 30" Wide	35"	30"	40"



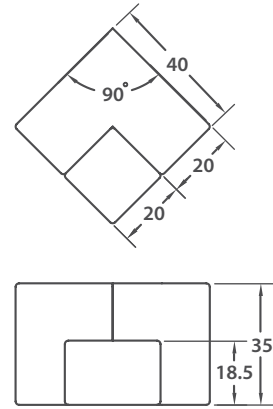
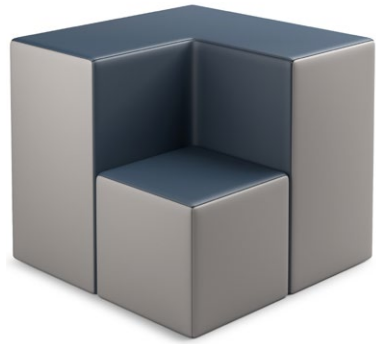
3-Tier Inside Wedge Seating

Product #	Description	Height	Width	Depth
VI-3T30IW	VISIT 3-Tier 30 Degree Inside Wedge	35"	36"	40"



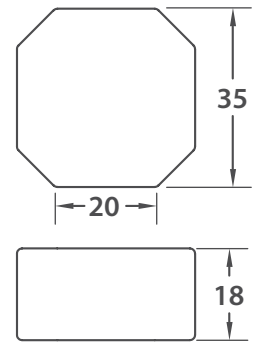
3-Tier Outside Wedge Seating

Product #	Description	Height	Width	Depth
VI-3T30OW	VISIT 3-Tier 30 Degree Outside Wedge	35"	36"	40"



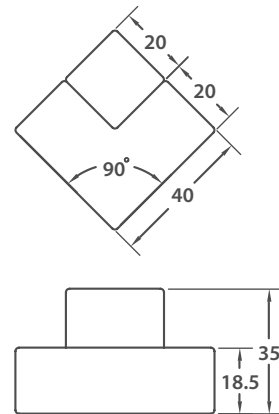
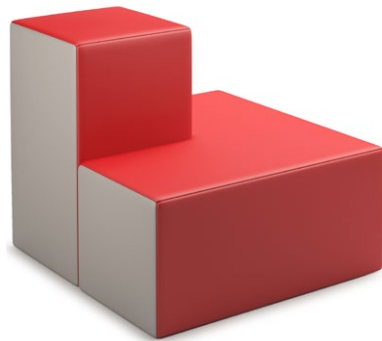
2-Tier Inside Corner Seating

Product #	Description	Height	Width	Depth
VI-2TIC	VISIT 2-Tier 90 Degree Inside Corner	35"	40"	40"



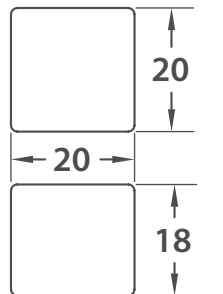
Octagon Soft Seat

Product #	Description	Height	Width	Depth
OCT-3518	Octagon Soft Seat	18"	35"	35"



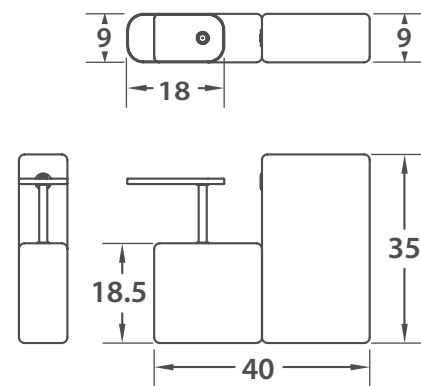
2-Tier Outside Corner Seating

Product #	Description	Height	Width	Depth
VI-2TOC	VISIT 2-Tier 90 Degree Outside Corner	35"	40"	40"



Square Soft Seat

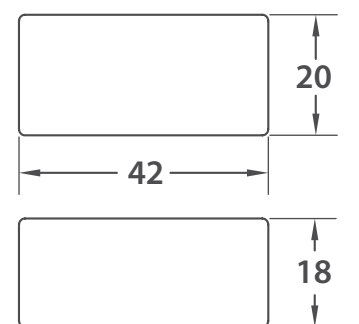
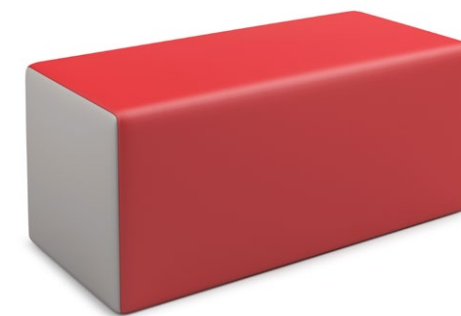
Product #	Description	Height	Width	Depth
SQ-202018	Square Soft Seat	18"	20"	20"



* VI-2T9PDT

2-Tier Charging Unit

Product #	Description	Height	Width	Depth
VI-2T9PDT	VISIT 2-Tier with 1 Power/2 USB and Swivel Table Top	35"	9"	40"
VI-2T9PD	VISIT 2-Tier with 1 Power/2 USB	35"	9"	40"

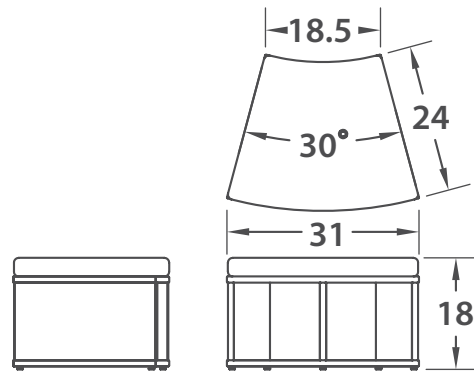


Rectangle Soft Seat

Product #	Description	Height	Width	Depth
RT-422018	Rectangle Soft Seat	18"	42"	20"



* Can be used to create bench configurations or to connect double face shelving units

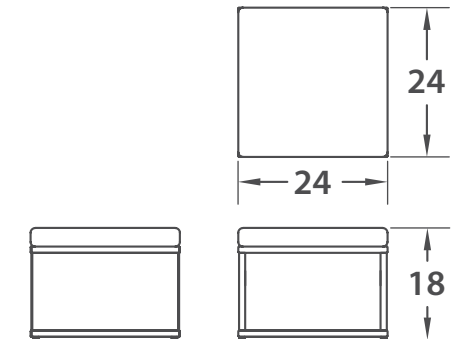


30 Degree Connector Bench

Product #	Description	Height	Width	Depth
CBO-30D18	30 Degree Open Connector Bench	18"	31"	24"
CBC-30D18	30 Degree Closed Connector Bench	18"	31"	24"



* Can be used to create bench configurations or to connect double face shelving units

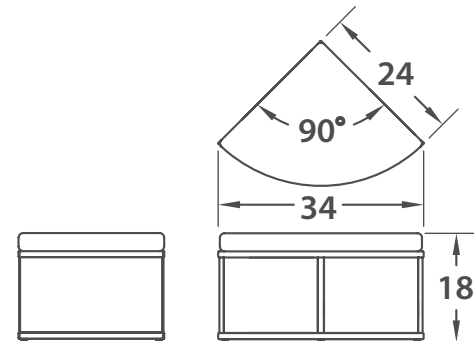


Square Connector Bench

Product #	Description	Height	Width	Depth
CBO-SQ2418	Square Open Connector Bench	18"	24"	24"
CBC-SQ2418	Square Closed Connector Bench	18"	24"	24"



* Can be used to create bench configurations or to connect double face shelving units



90 Degree Connector Bench

Product #	Description	Height	Width	Depth
CBO-90D18	90 Degree Open Connector Bench	18"	34"	24"
CBC-90D18	90 Degree Closed Connector Bench	18"	34"	24"



* Can be used to create bench configurations or to connect double face shelving units

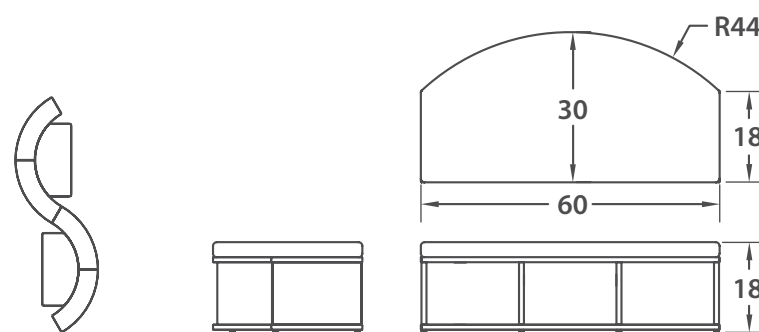


Rectangle Connector Bench

Product #	Description	Height	Width	Depth
CBO-RT3618	Rectangle Open Connector Bench	18"	36"	24"
CBC-RT3618	Rectangle Closed Connector Bench	18"	36"	24"



* The Focus Bench can be used to fit inside the curve of (2) Single Face Radius Shelving units (pg. 16)

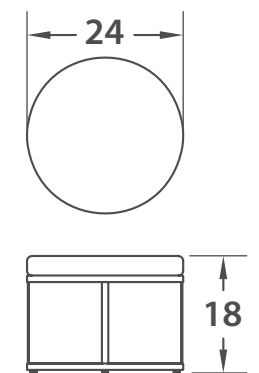


Focus Bench

Product #	Description	Height	Width	Depth
FBO-603018	Focus Bench Open	18"	60"	30"
FBC-603018	Focus Bench Closed	18"	60"	30"

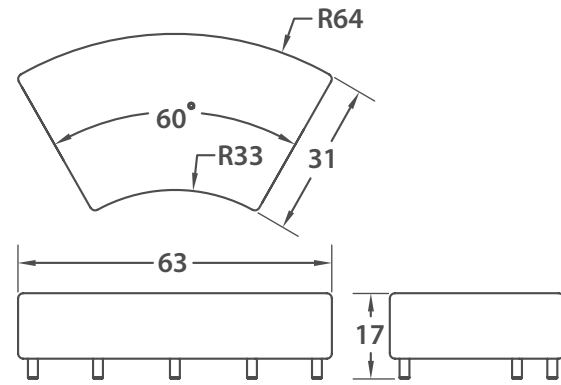


* Great idea for use at the end of double face shelving runs



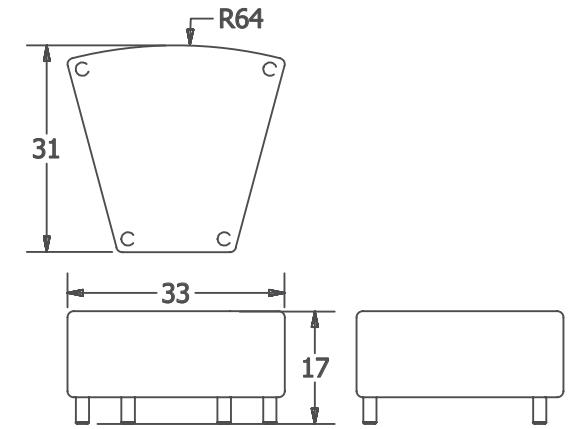
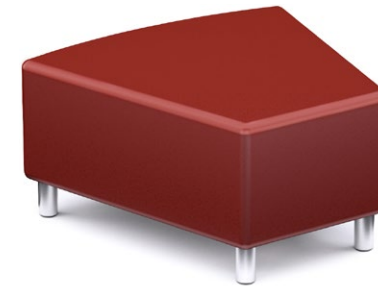
Round Bench

Product #	Description	Height	Width	Depth
CBO-24R18	Round Open Bench	18"	24"	24"
CBC-24R18	Round Closed Bench	18"	24"	24"



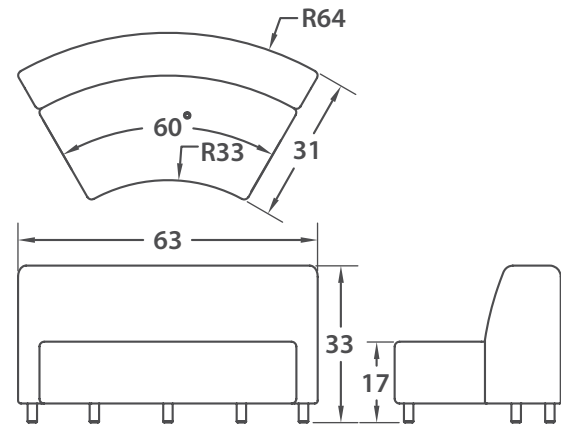
Wedge Soft Seat (60 Degree)

Product #	Description	Height	Width	Depth
PT-60W17	Wedge soft seat (60 degree) - with aluminum legs	17"	63"	31"



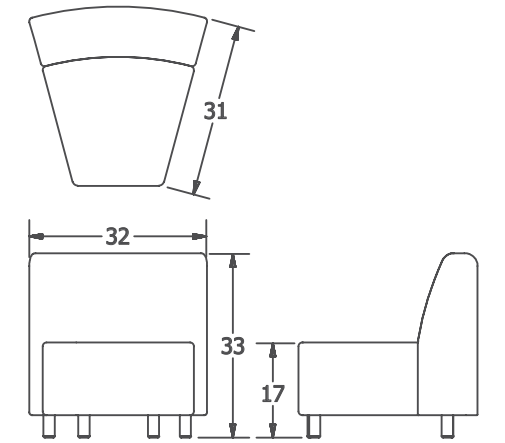
Wedge Soft Seat (30 Degree)

Product #	Description	Height	Width	Depth
PT-30W17	Wedge soft seat (30 degree) - with aluminum legs	17"	33"	31"



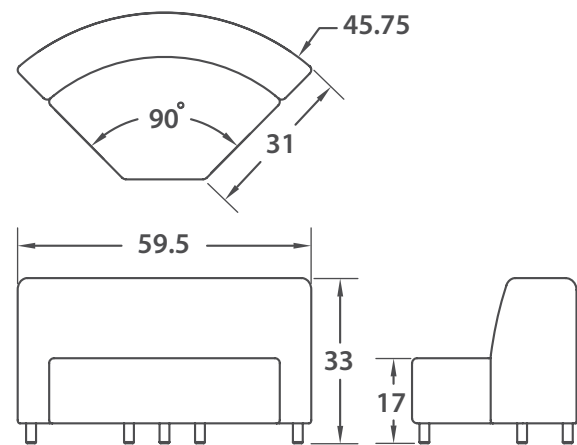
Wedge Chair (60 Degree)

Product #	Description	Height	Width	Depth
PT-60WB17	Wedge Chair (60 degree) - with aluminum legs	33"	63"	31"



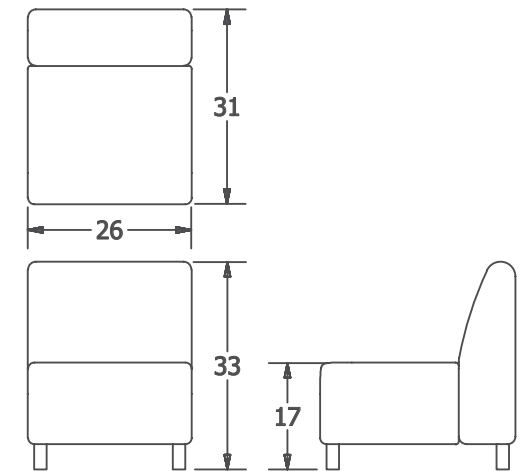
Wedge Chair (30 Degree)

Product #	Description	Height	Width	Depth
PT-30WB17	Wedge Chair (30 degree) - with aluminum legs	33"	32"	31"



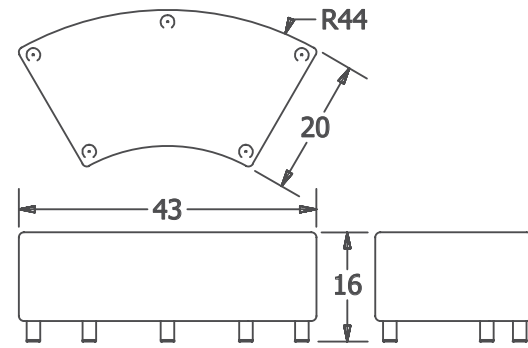
Corner Chair (90 Degree)

Product #	Description	Height	Width	Depth
PT-90WB17	Corner Chair (90 degree) - with aluminum legs	33"	59.5"	31"



Square Chair

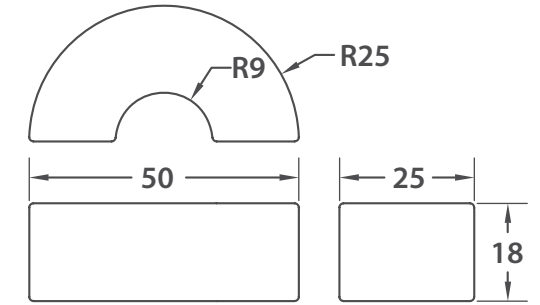
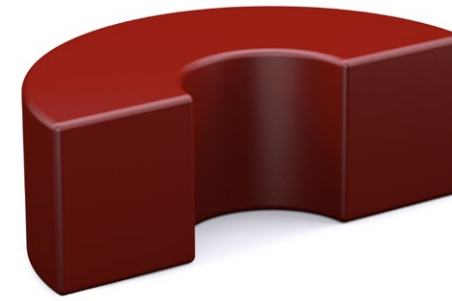
Product #	Description	Height	Width	Depth
PT-26CA17	Square chair - with aluminum legs	33"	26"	31"



* This lounge seating can be combined with the single sided radius shelving on page 16.

Curve Bench

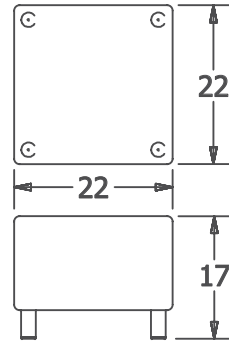
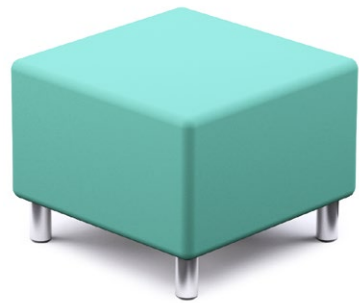
Product #	Description	Height	Width	Depth
PT-LNG16	Curved lounge bench - with aluminum legs	16"	43"	20"



* This lounge seating can be combined with the Round Center Soft Seat (shown below)

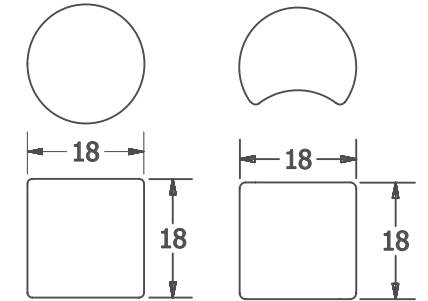
C Shaped Soft Seat

Product #	Description	Height	Width	Depth
PT-50C18	C Shaped Soft Seat	18"	50"	25"



Square Soft Seat

Product #	Description	Height	Width	Depth
PT-22S17	Square soft seat - with aluminum legs	17"	22"	22"

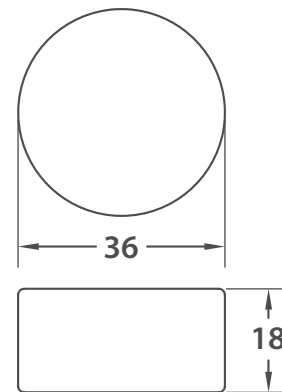
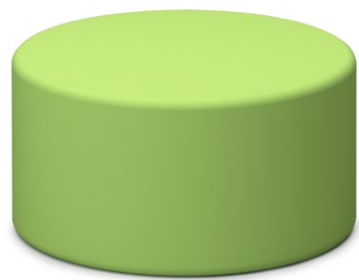


* PT-18R18

* PT-18R18HM

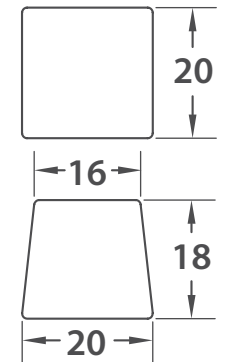
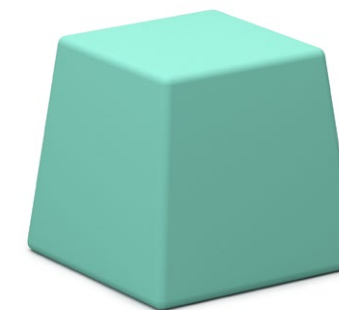
Round Center Soft Seat

Product #	Description	Height	Width	Depth
PT-18R18	Round Center Soft Seat	18"	18"	18"
PT-18R18HM	Round Soft Seat - with cut out	18"	18"	18"



Round Soft Seat

Product #	Description	Height	Width	Depth
RND-3618	Round soft seat	18"	36"	36"

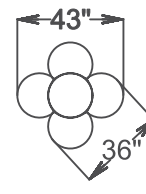
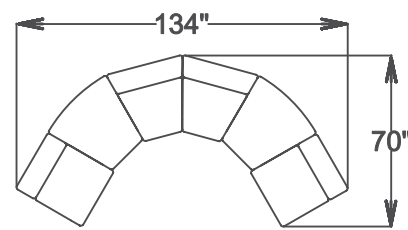
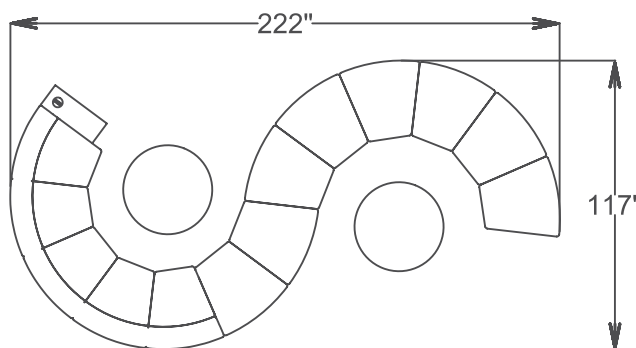


Tapered Soft Seat

Product #	Description	Height	Width	Depth
TP-162018	Tapered Square Soft Seat	18"	20"	20"

Lounge Arrangements and Color Options

We know there are many possible color styles and furniture arrangements in the Palette™ line, it would be impossible to show them all in this product guide! Our Project Managers will work closely with your dealer to help you achieve the layout and style you are looking for.



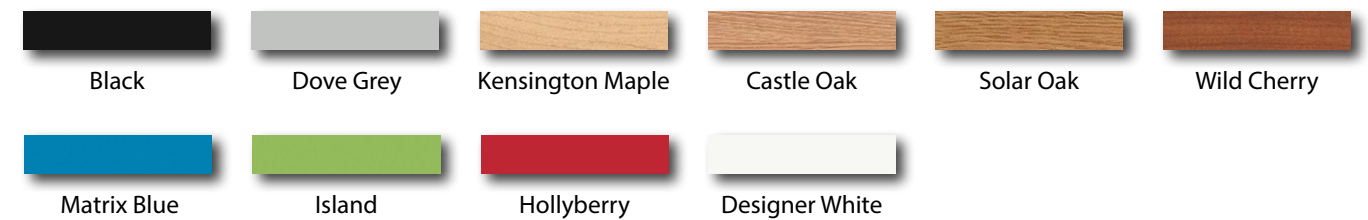
* Some images in this section show fabrics that are higher than the standard Grade1 fabrics shown on page 43.

Laminates



PVC Edge band Colors

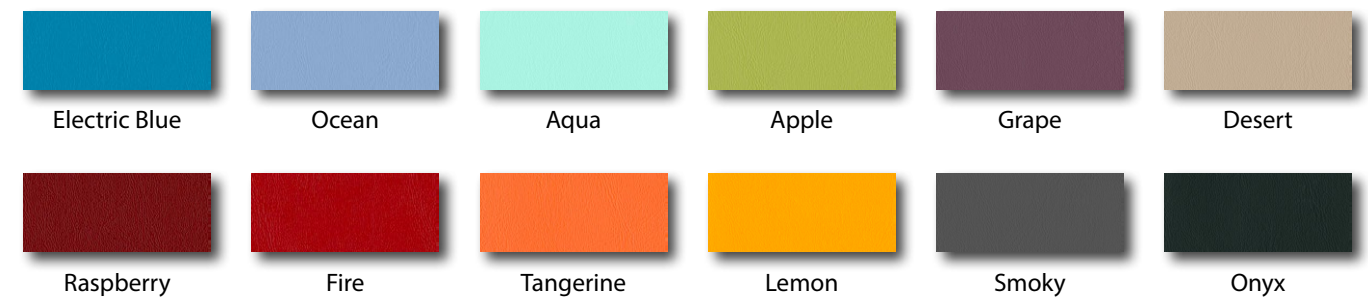
* Listed edge band colors are a close match to the laminates above



Fabric Colors - grade 1 - (Montgomery by Culp)



Vinyl Colors - grade 1 - (Hathaway by Culp)



Metal Leg Colors



Don't see the color you're looking for? Not a problem! Choose any standard laminate color from any U.S. manufacturer. With Russwood's Palette line there is no limit to your creativity - you can get the look you want. Upcharges may apply for non standard color options. Higher grade fabrics are also available for an upcharge.





Dealer Information: 800-792-0253 Fax: 919-779-7403 Email: info@russwood.com
209 Carr-Pur Drive | Raleigh, NC 27603 | www.russwood.com

© 2023 Russell Carroll Manufacturing, Inc.,
Raleigh, North Carolina Printed in the U.S.A.



© Russwood Library Furniture is a registered
trademark of Russell Carroll Mfg., Inc.